



Magnetic Autocontrol GmbH

Grienmatt 20
D-79650 Schopfheim
Phone. 07622 695 644
Techn. Support

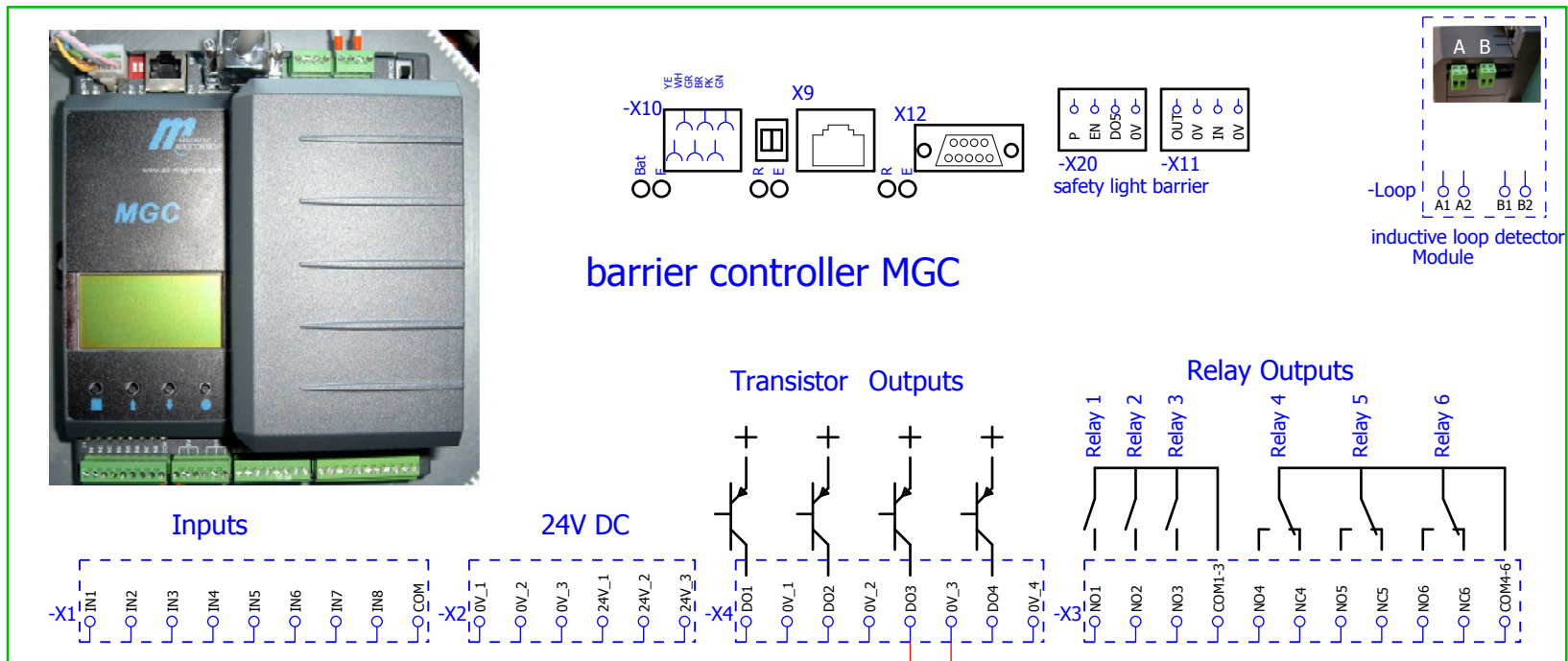
Job number 5526,0015
Customer
Commission MicroDrive (UL) USA
End customer / Place of installation

Type MHTM - MicroDrive - flashing light on top cover

Edit date 02.12.2011 by (short name) Probst Number of pages 6

OPTION 1 signal light A

-A1
/3.1:2
/4.1:2
/5.1:2

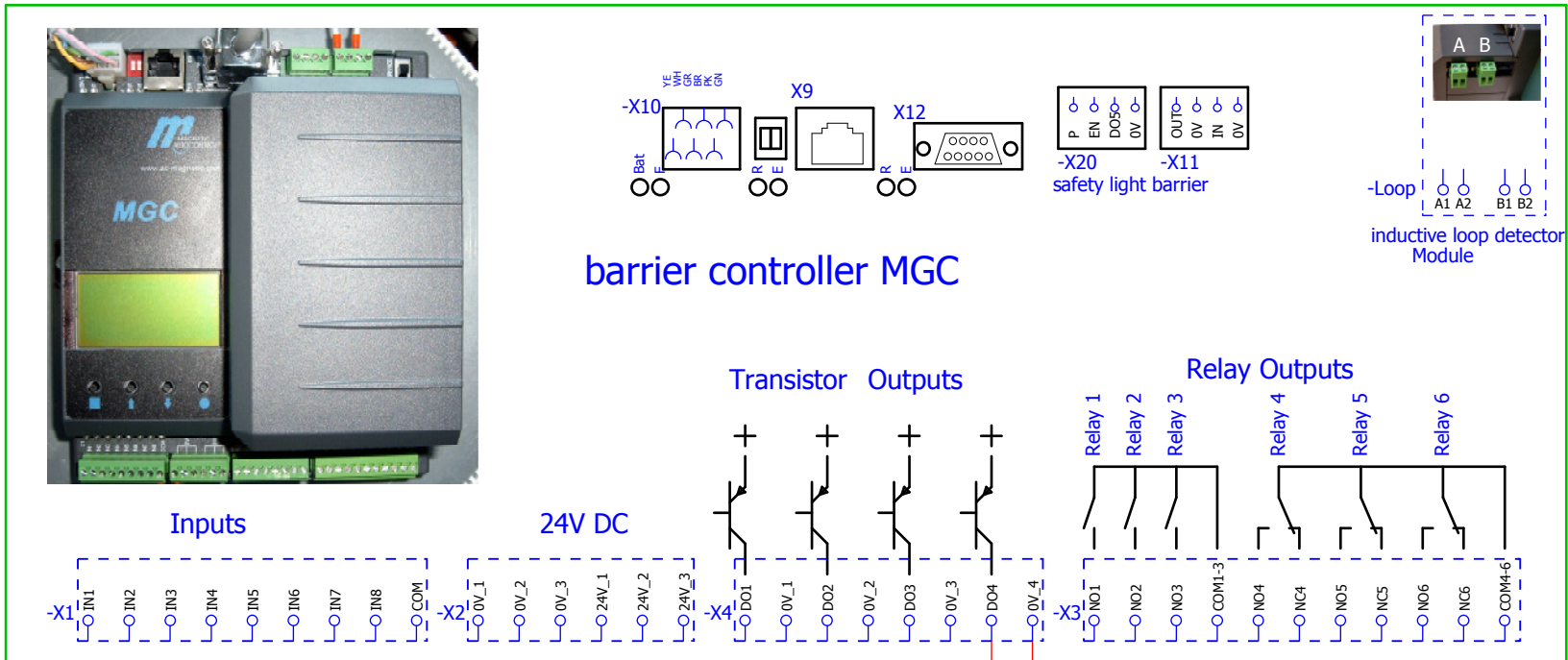


→ 24V / 6.0:2
→ 0V / 6.0:2

D03 = Signal light A, select required mode in menu

OPTION 2 signal light B

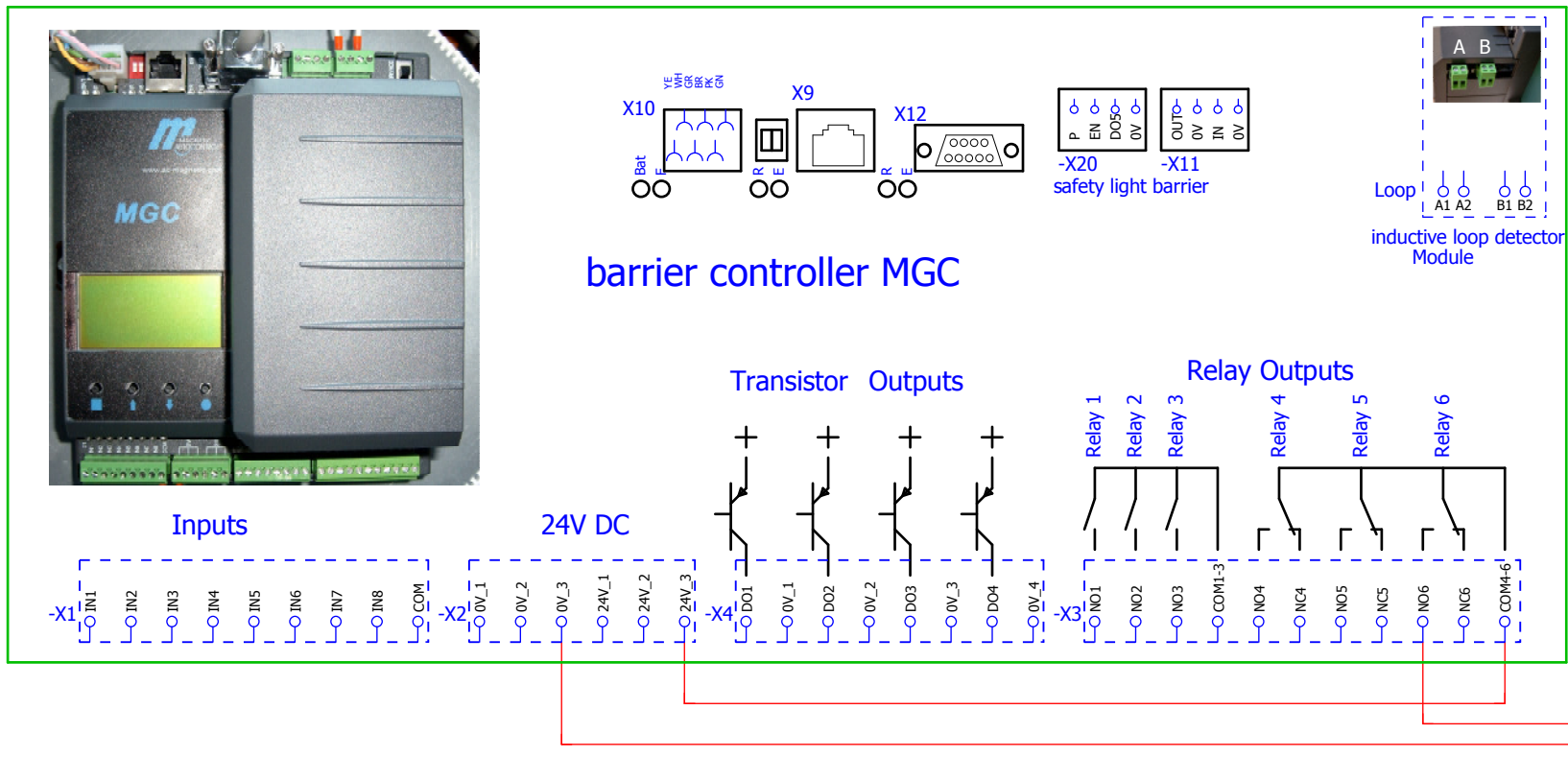
-A1
/2.1:2
/4.1:2
/5.1:2



D04 = Signal light B, select required mode in menu

OPTION 3 signal light C

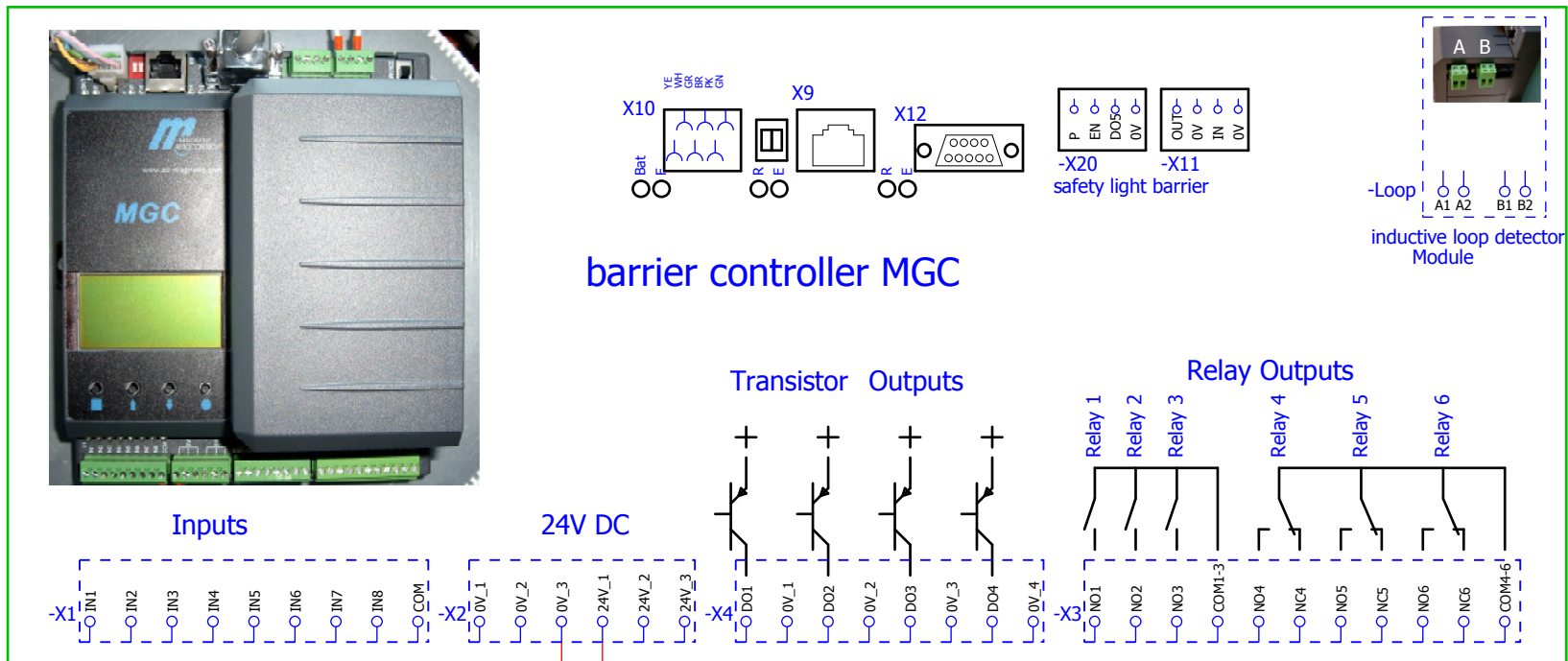
-A1
/2.1:2
/3.1:2
/5.1:2



N06 = Signal light C, select required mode in menu

OPTION 4 permanent light

-A1
/2.1:2
/3.1:2
/4.1:2



Signal light is permanently lit.

2.8:2
3.8:2
4.8:2 / 24V
5.8:2

-X3_{24V}

H1



X3_{0V}

2.8:2
3.8:2
4.8:2 / 0V
5.8:2



				14.02.2011 gp	MHTM MicroDrive (UL) USA		flashing light on top cover	=		
01	18.11.11	5K11561	gp					5526,0015	+	
Version	Date	Modification project	Name	00 5K11502						